

It is the responsibility of the owner to make sure all personnel read this manual prior to using the device. It is also the responsibility of the device owner to keep this manual intact and in a convenient location for all to see and read. If the manual or product labels are lost or not legible, contact Matco Tools for replacements. If the operator is not fluent in English, the product and safety instructions shall be read and discussed with the operator in the operator's native language by the purchaser/owner or his designee, making sure that the operator comprehends its contents. PLEASE NOTE: Loading cart beyond rated capacity may cause structural damage to the cart as well as personal and /or property damage. Please educate your customers to the dangers of overloading.

## ⚠ WARNING



- Read and follow all instructions in User's Manual.
- Do not load carts beyond rated capacity

Maximum Total Net Load .....	700 lbs.
Top Lid of Cart .....	150 lbs.
Power Drawer .....	100 lbs.
3" Drawer .....	100 lbs.
4" Drawer .....	100 lbs.
5" Drawer .....	100 lbs.

**PLEASE NOTE:** Loading cart beyond rated capacity may cause structural damage to the cart as well as personal and/or property damage. Please educate your customers to the "dangers of overloading". Do not attempt to push cart with items on the top lid.

- Lock lid and drawers before moving.
- Apply brake on locking casters anytime cart is in place.
- Do not pull cart. Push from handle on end to move.
- Units can tip or fall causing damage or personal injury.
- Cart is designed to roll easily on flat surfaces and should not be used on uneven or inclined surfaces.
- Do not open more than one loaded drawer at a time.
- Do not stand on or step in drawers.
- Keep children away from unit.
- Wear gloves when lifting edges.
- Before connecting to a power supply, always check to make sure the power supply corresponds to the voltage required on the product.
- Fully insert plug to reduce the risk of electric shock.
- Always unplug when not in use.
- Disconnect power before installing or servicing.
- Do not try to plug in unit or product when hands are wet or damp, or if standing on a wet or damp surface or in water.
- Never attempt to pick up unit or plugged in product that should fall in standing water.
- This unit is not waterproof and is intended for general use indoors.
- Do not use in potentially dangerous locations, such as flammable or explosive atmospheres.
- Keep cord away from heat, oil, sharp edges or moving parts.
- Failure to heed these warnings may result in personal injury and/or property damage.



**WARNING:** This product can expose you to chemicals including lead, which is known to the State of California to cause cancer and birth defects or other reproductive harm. For more information go to [www.P65Warnings.ca.gov](http://www.P65Warnings.ca.gov).



## TROUBLESHOOTING

**Problem:** Drawers appear not to fit, do not slide in accurately and bump the cart sides.

**Solution:** The roller bearing slides must be fully engaged into the mounting slots on all drawers. They potentially could fall out of position during shipment. Check the side of the cart to determine which slide is out of position.

Remove the drawer that is out of position. The drawer is removed by the two clips on the actual roller bearing slide.

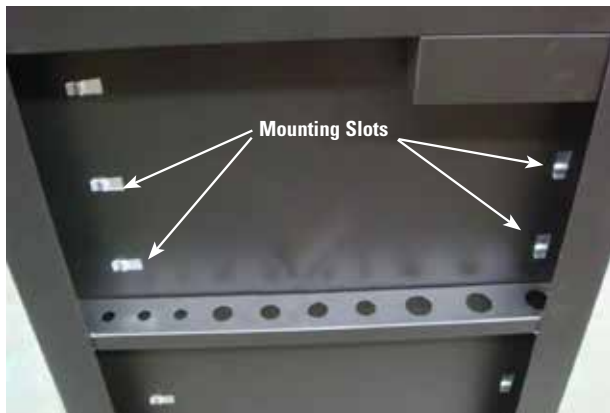
Simply push the roller bearing slide back down into position.

Insert the drawer back onto the roller bearing slides.

**Problem:** Back Lock/Unlock Switch does not engage the drawer.

**Solution:** The inside Lock/Unlock slide potentially could fall out of its groove during shipment. Unscrew the four screws that are holding the Lock/Unlock slide in place.

Once the screws are removed, simply place the latch back onto the slide and tighten the four screws back down.



## SPECIFICATIONS

### TOTAL DIMENSIONS

Height, Open Lid.....	64.5"
Height, Closed Lid.....	40.5"
Width without handle.....	48.4"
Width with Handle.....	52.1"
Depth.....	24.8"

### WEIGHT RATINGS

Max Total Capacity.....	700 lbs.
On top of Closed Lid.....	150 lbs.
Top Compartment.....	150 lbs.
Power Drawer.....	100 lbs.
3" Drawer.....	100 lbs.
4" Drawer.....	100 lbs.
5" Drawer.....	100 lbs.

## WARRANTY

This MATCO TOOLS service/storage cart carries a one (1) year warranty (only for the parts listed below) subject to the terms and conditions below.

### What is Covered

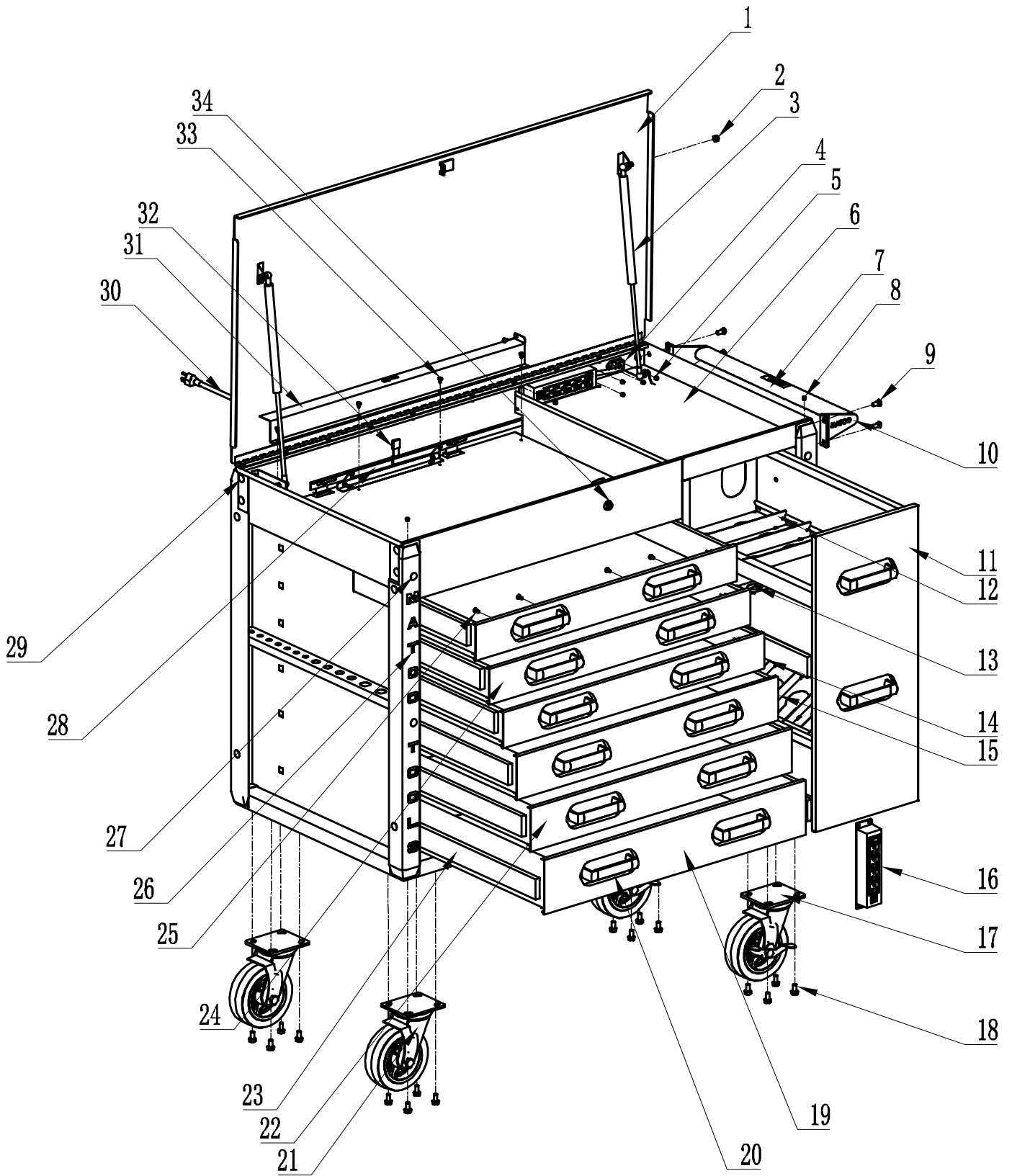
MATCO TOOLS warrants the following components of this product to be free from defects in workmanship and materials. The components covered by the one (1) year warranty include welded joints, paint, drawers, lid, hinge, slides, casters, handles and pulls, gas pistons, bumpers, key lock, drawer lock mechanism, hardware, clips, and grommets.

### What is NOT Covered (Exclusions)

This warranty does not cover normal wear, damage caused by neglect and misuse. Disassembly of any product will void the warranty. This warranty also only applies to a genuine MATCO TOOLS branded product that was purchased from an authorized MATCO TOOLS dealer. Purchases outside of this are not covered. If the product has been modified in any way it will not be covered.

Drawer liners are not covered under warranty.

Themed, Special or Limited Edition Product - Any MATCO TOOLS storage/service cart that is a limited, special, or themed design will not be covered under the one (1) year warranty due to the special paint, decals, and screen-printing. Therefore, decals and screen-printing, and will only carry an OUT OF THE BOX warranty. However, other interchangeable components such as the drawers, lid, gas pistons, bumpers, casters, slides, hardware, key lock, drawer lock mechanism, clips and grommets will all retain the one (1) year warranty.





**MSC5BK, Heavy Duty Full Drawer Service Cart, Power Drawer Black**  
**MSC5BL, Heavy Duty Full Drawer Service Cart, Power Drawer Blue**

No.	Part No.	Description	Qty
1	RSLID10BK	LID (10 RIVETS) / BLACK	1
1	RSLID10BL	LID (10 RIVETS) / BLUE	1
2	RSGPLN	LOCK NUT (EACH) / GAS PISTON (EACH)	4
3	RSGP5	GAS PISTON (EACH)	2
4	RSP04USB2T01	POWER STRIP / TOP COMPARTMENT	1
5	RSPSTCBK	BOLT KIT / POWER STRIP TC	1
6	RSLINERSUT	LINER (EACH) / SMALL UPPER TRAY	1
7	RSPUSHHDL06	PUSH HANDLE	1
8	RSACB	ANTI-COLLISION BUTTON (EACH)	2
9	RS4QPHBKC	PUSH HANDLE BRACKET HARDWARE / CHROME	1
10	RSMSC4HB	PUSH HANDLE BRACKETS (PAIR) / CHROME	1
11	RSPDRWBK	POWERED DRAWER / BLACK	1
11	RSPDRWBL	POWERED DRAWER / BLUE	1
12	RSPDGRIDTC	GRID INSERT (EACH) / POWER DRAWER / TOP	3
13	RS4RCP01	GROMMET FOR POWER CORD (EACH) / POWER DRAWER	4
14	RSPDCC	CABLE CLAMP / POWERED DRAWER	1
15	RSPDDRIBD	GRID INSERT (EACH) / POWER DRAWER / BOTTOM	5
16	RSP04USB2B01	POWER STRIP / POWER DRAWER	1
17	RS6INLC01	6" LOCKING CASTER (EACH)	2
18	RSCSTRBK	CASTER BOLT KIT	1
19	RS5INFDRWBK	5" DRAWER / BLACK	1
19	RS5INFDRWBL	5" DRAWER / BLUE	1
20	RSDRWPULL	DRAWER PULL / CHROME	1
21	RS6INNLC01	6" NON-LOCKING CASTER (EACH)	2
22	RS4INFDRWBK	4" DRAWER (EACH) / BLACK	2
22	RS4INFDRWBL	4" DRAWER (EACH) / BLUE	2
23	RSBBSLIDE05	BALL BEARING SLIDES (PAIR)	8
24	RS3INFDRWBK	3" DRAWER (EACH) / BLACK	3
24	RS3INFDRWBL	3" DRAWER (EACH) / BLUE	3
25	RSDRWPULLHK	DRAWER PULL HARDWARE KIT	1
26	RSMSC4FDBP	BUMPERS (SET OF 4)	1
27	RSFDFK	PLASTIC CLIP (SET OF 4) / ONE BUMPER	4
28	RSLOCKBARBK	LOCK BAR ASSEMBLY / BLACK	1
28	RSLOCKBARBL	LOCK BAR ASSEMBLY / BLUE	1
29	RSFDPCK	PLASTIC PUSH CAPS (SET OF 4) / ONE BUMPER	4
30	RSPOWCORDT	POWER CORD (EACH) / TOP COMPARTMENT & DRAWER	2
31	RSCOVPLTBK	COVER PLATE / BLACK	1
31	RSCOVPLTBL	COVER PLATE / BLUE	1
32	RSKNBCOVRBL02	KNOB COVER / LOCKING BAR	1
33	RSCOVPLTSCREWS	COVER PLATE SCREWS / SELF-TAPPING (SET OF 5)	1
34	RSLOCK2K04	LOCK W/2 KEYS	1
NS	RSDRWLINER	LINER (EACH) / DRAWER	6
NS	RSLINERLUT	LINER (EACH) / LARGE UPPER TRAY	1
NS	RSPAINJTGSF114	TOUCH-UP PAINT / BLACK	1
NS	RSPAINJTGSF012	TOUCH-UP PAINT / BLUE	1

*Only items identified by part number are available separately.*