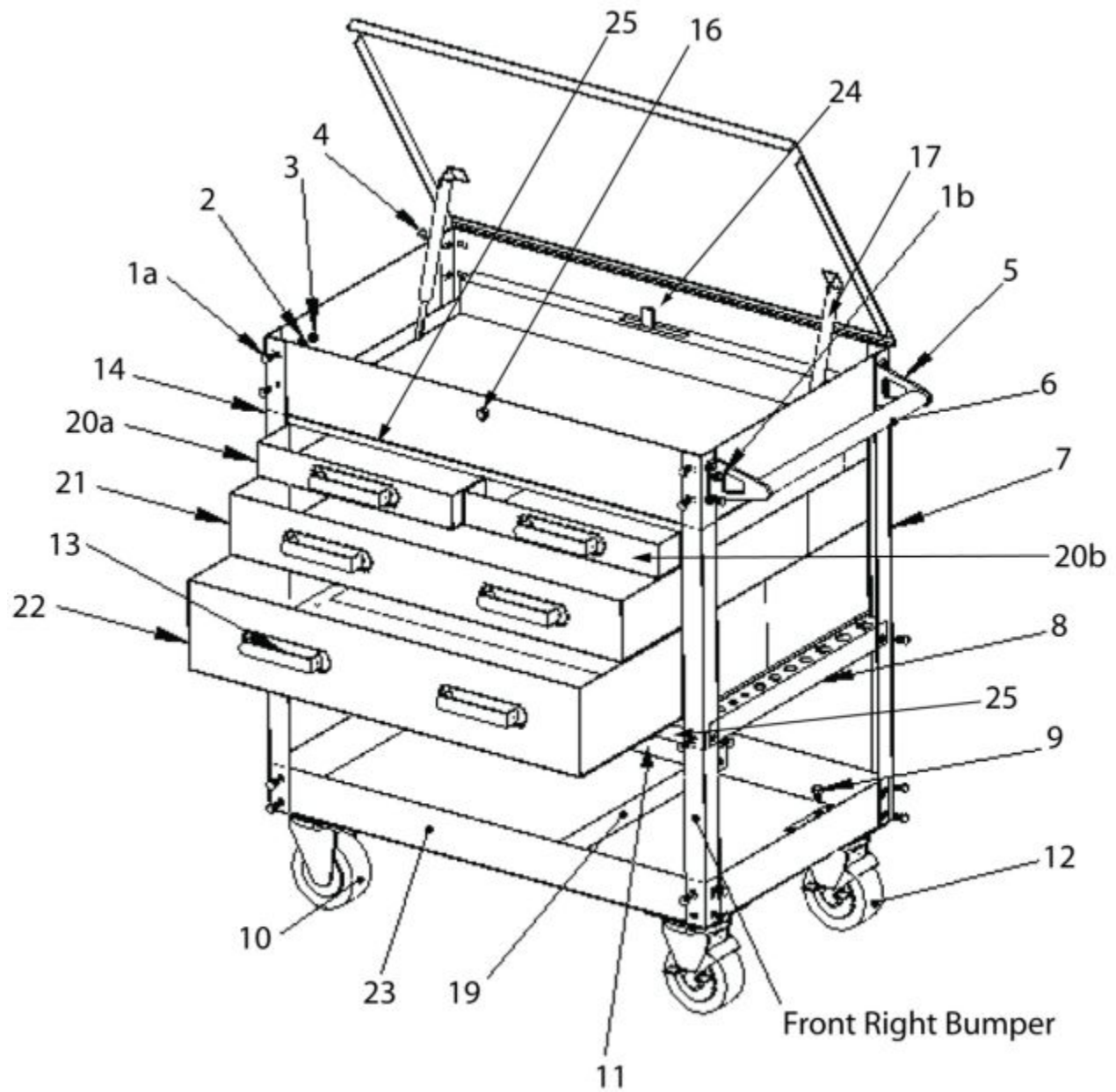


MSC4BK - HD SERVICE CART - BLACK



Item: MSC4BK

Description: HD SERVICE CART - BLACK

Notes: NOTES: PRE AUGUST 2013 10RIVET LID AFTER THAT DATE 9 RIVET LID K7MSC4LIDBK IS 10 RIVET K7MSC4LIDBK9 IS 9 RIVET k7RSHDRBS heavy duty roller slide is heavier and larger than the RSRBS and was only used on the first shipment of MSC4 for the bottom drawer only; presently all MSC4 slides are RSRBS and the k7RSHDRBS will not work in the cart. ITEMS 1A, 1B, 2, 3, 4, 9 & 15 ONLY AVAILABLE IN BOLT KIT
NOTE: CARTS MADE BEFORE 8/26/05 (see inside front panel for date) UTILIZED RSLMMBK OLD STYLE LOCKING MECHANISM. Also available: RSMSC4SSMAT, Mat for MSC4 Side Shelf (set of 3).

Figure No	Part Number	Description	No. Reqd	Warranty Code
0	MSC4C	COVER	1	T
0	MSC4-FC	2-FIXED CASTERS FOR MSC4 CARTS	2	T
0	K7RSBKP	BLACK TOUCH UP PAINT F/CARTS	1	X
0	K7RSD8PK	DETENTS F/MSC4-8PK	1	X
0	NMPL-016	4.25 MATCO PLASTIC BRT CHROME	1	N
0	K7RSSCPK	SERVICE CART POLISHING KIT	1	X
0	K7RSMSC46LK	MSC4 LINER KIT	1	X
1	K7RSMSC4BK	BOLT KIT F/MSC4BK	32	X
1	K7RSMSC4BK	BOLT KIT F/MSC4BK	4	X
2	K7RSMSC4BK	BOLT KIT F/MSC4BK	72	X
3	K7RSMSC4BK	BOLT KIT F/MSC4BK	56	X
4	K7RSMSC4BK	BOLT KIT F/MSC4BK	4	X
5	K7RSMSC4HB	(2) HANDLE BRACKETS F/MSC4	1	X
6	K7RSMSC4HDL	SIDE HANDLE F/MSC4	1	X
7	K7RSMSC4LGBK	BLACK LEG F/MSC4BK	4	X
8	K7MSC4SRP-BK	BLACK SCREW/PYHOLDER	2	X
9	K7RSMSC4BK	BOLT KIT F/MSC4BK	16	X
10	K7RSSWCS	SWIVEL CASTER	2	X
11	K7RSMSC4RPBK	BLACK REINFORCED PIECE	1	X
12	K7RSSWLCS	SWIVEL CASTER W/LOCK	2	X
13	*K7MCS4HBK	6-PC BLACK ANODIZED DRAWER HANDLES	1	
13	MSC4HBL	6 PC BLUE HANDLES F/ MSC4 CART	1	B
13	MSC4HR	6 PC RED HANDLES FOR MSC4 CART	1	B
13	MSC4HC	6 PC CHROME HANDLES MSC4 CART	1	B
14	K7RSMSC4BP	BUMPER (SET OF 4) F/MSC4	1	X
15	K7RSMSC4BK	BOLT KIT F/MSC4BK	12	X
16	RSLKA	LOCK WITH 2-KEYS FOR MSC4	1	B
17	K7RSGP	GAS PISTON	2	B
18	K7RSRBS	ROLLER BEARING SLIDES	4	X
19	K7RSMSC4SCDBK	SPRAY CAN DIVIDER FO	1	X

20	K7MSC4LD3BKR	3 IN RIGHT DRAWER BLACK	1	X
20	K7MSC4LD3BKL	3 IN LEFT DRAWER BLACK	1	X
21	K7MSC4LD4BK	4 IN DRAWER, BLACK	1	X
22	K7MSC4LD5BK	5 IN DRAWER, BLACK	1	X
23	K7MSC4SBK	BOTTOM SHELF, BLACK	1	X
24	K7RSLMMBKN	NEW LOCKING MECHANISM F/MSC4BK	1	X
25	*K7RSMSC4JR	J CHANNEL	2	
26	K7MSC4CCPBK	CENTER CLIP ON PIECES F/MSC4BK	1	X
27	K7MSC4LIDBK	BLACK LID F/MSC4	1	X
28	K7MSC4LIDBK9	LID MSC4 BLACK NEW 9	1	J