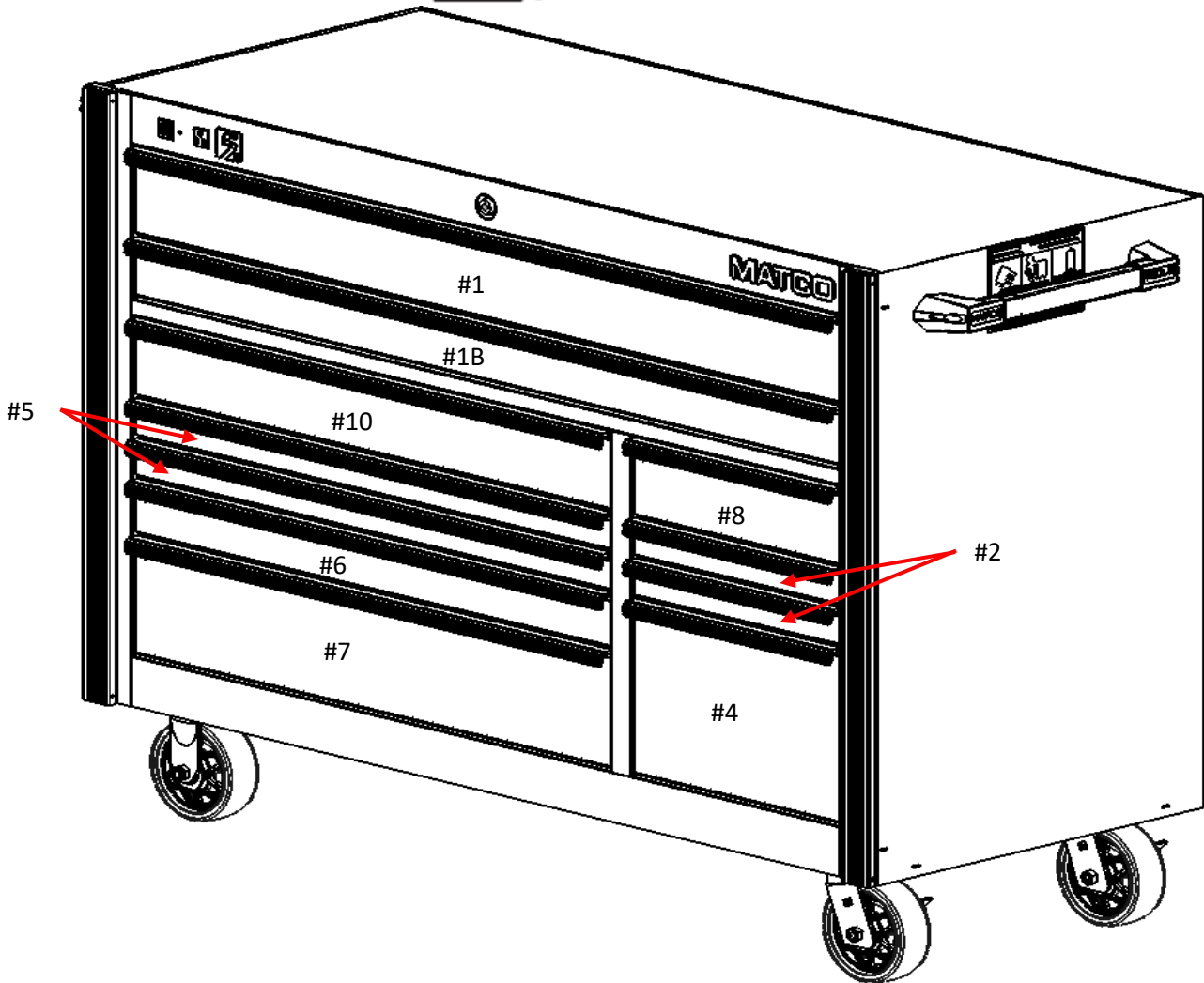




5225RP

5S 2BAY 25" TOOLBOX W/POWER



SPECIFICATIONS

PART NUMBER	DESCRIPTION	QTY	HEIGHT	WIDTH	DEPTH	SQ IN	CU IN
5225RX-053	#1 DRAWER	1	4.240	50.131	22.599	1,133	4,804
5225RX-053B	#1B DRAWER	1	2.562	50.131	22.599	1,133	2,903
5225RX-055	#2 DRAWER	2	1.630	13.622	22.599	616	1,004
5225RX-057	#4 DRAWER	1	9.849	13.622	22.599	308	3,032
5225RX-058	#5 DRAWER	2	1.630	33.329	22.599	1,506	2,455
5225RX-086	#6 DRAWER	1	2.630	33.329	22.599	753	1,981
5225RX-087	#7 DRAWER	1	6.442	33.329	22.599	753	4,852
5225RX-350	#8 DRAWER	1	4.031	13.662	22.599	309	1,245
5225RX-365	#10 DRAWER	1	4.031	33.329	22.599	753	3,036
TOTAL / OVERALL		11	44.000	57.000	25.000	7,264	25,311

*ALL DIMENSIONS IN INCHES



5225RP

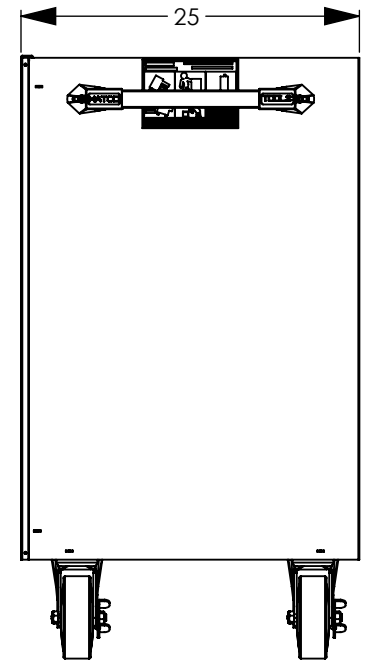
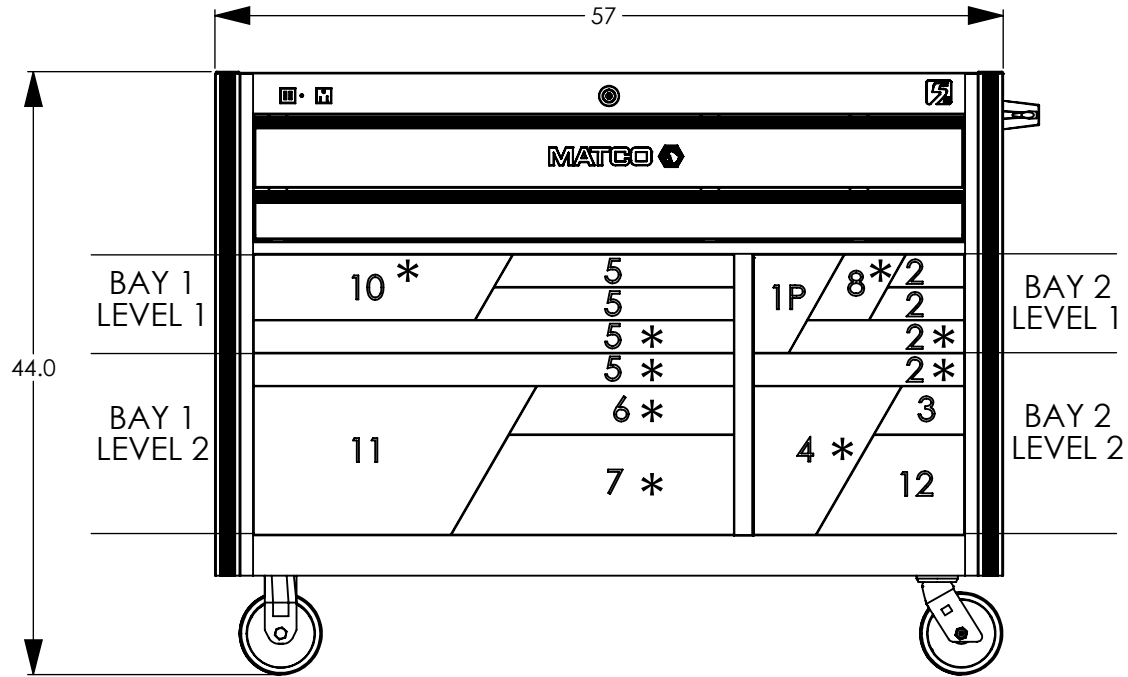
5S 2BAY 25" TOOLBOX W/POWER

REPLACEMENT PARTS			
ITEM	PART #	DESCRIPTION	QTY/BOX
1	L5	NARROW DRAWER LINER	4
2	L10	WIDE DRAWER LINER	5
3	L12	LONG DRAWER LINER	2
4	HNDL5-C51531	LONG DRAWER HANDLES - CHROME	2
	HNDL5-B51531	LONG DRAWER HANDLES - BLACK	
5	HNDL5-C15063	NARROW DRAWER HANDLES - CHROME	4
	HNDL5-B15063	NARROW DRAWER HANDLES - BLACK	
6	HNDL5-C34730	WIDE DRAWER HANDLES - CHROME	5
	HNDL5-B34730	WIDE DRAWER HANDLES - BLACK	
7	CHRN-422M	DRAWER SLIDES	26
8	SCRW-027	8-32X1/4"PPH SCREW (DWR TO SLIDE, 2/DWR)	26
9	SCRW-047	#8 X 1/4" TORX PH SCREW (CASE TO SLIDE, 2/DWR)	26
10	CSTR-046CS	6 X 2 BLACK SWIVEL POLY WHEEL	2
11	CSTR-026CS	6 X 2 BLACK RIGID POLY WHEEL	2
12	BOLT-012	5/16" X 3/4" HEX HEAD BOLT	16
13	5225RX-044	LOCKBAR	3
14	SPRG-011	SPRING	3
15	RODS-029	LOCKROD	1
16	5225RX-001	LOCKBAR ACTUATOR	1
17	MLRA-007	LOCK CAM	1
18	LOCK-017	1 LOCK W/ 2 KEYS	1
	LOCK-017B	BLACK LOCK W/ 2 KEYS	
19	CAPS-020	LOCKROD CAP	1
20	RPT-5225R	RIGIT POLY TOP	1
	SST-5225R	STAINLESS STEEL TOP	
21	MLBP-615	ACCESS PLATE	2
22	HNDL-216	SIDE HANDLE	1
23	HDWE-PREMISH	SIDE HANDLE HARDWARE	2 PKG
24	CAPS-025	END CAPS	2
25	NMPL-MATCOC	LARGE MATCO NAMEPLATE - CHROME	1
	NMPL-MATCOB	LARGE MATCO NAMEPLATE - BLACK	
26	TRM5-C36594	5S CORNER TRIM - CHROME	2
	TRM5-B36594	5S CORNER TRIM - BLACK	
27	NMPL-5S	5S NAMEPLATE - CHROME	1
	NMPL-5SB	5S NAMEPLATE - BLACK	

28	GROM-250	POWER CORD GROMMET	2
29	PS6U4A120	6" POWER STRIP	1
30	4225RP-012	POWER STRIP BRACKET	1
32	OMNL12	OWNERS MANUAL	1
33	5225RX-053	#1 DRAWER	1
34	5225RX-053B	#1B DRAWER	1
35	5225RX-055	#2 DRAWER	2
36	5225RX-057	#4 DRAWER	1
37	5225RX-058	#5 DRAWER	2
38	5225RX-086	#6 DRAWER	1
39	5225RX-087	#7 DRAWER	1
40	5225RX-350	#8 DRAWER	1
41	5225RX-365	#10 DRAWER	1
42	SSKICK-5187	STAINLESS STEEL KICKPLATE	1
	STKICK-5187	PAINTED KICKPLATE	
43			

REVISION	DESCRIPTION	DATE	BY	EC #
A	CREATION	1/30/2019	SRG	

5225RP



* DENOTES STANDARD CONFIGURATION

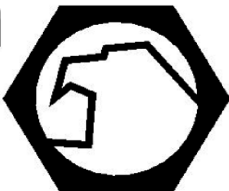
STANDARD CONFIGURATION								MAXIMUM SQ. IN. CONFIGURATION							
#	DRAWER P/N	QTY	WIDTH	DEPTH	HEIGHT	SQ. IN.	CU. IN.	#	DRAWER P/N	QTY	WIDTH	DEPTH	HEIGHT	SQ. IN.	CU. IN.
1	5225RX-053	1	50.131	22.599	4.240	1133	4804	1	5225RX-053	1	50.131	22.599	4.240	1133	4804
1B	5225RX-053B	1	50.131	22.599	2.562	1133	2903	1B	5225RX-053B	1	50.131	22.599	2.562	1133	2903
2	5225RX-055	2	13.662	22.599	1.630	617	1007	2	5225RX-055	4	13.662	22.599	1.630	1235	2013
4	5225RX-057	1	13.662	22.599	9.849	309	3041	3	5225RX-056	1	13.662	22.599	2.630	309	812
5	5225RX-058	2	33.329	22.599	1.630	1506	2455	5	5225RX-058	4	33.329	22.599	1.630	3013	4911
6	5225RX-086	1	33.329	22.599	2.630	753	1981	6	5225RX-086	1	33.329	22.599	2.630	753	1981
7	5225RX-087	1	33.329	22.599	6.442	753	4852	7	5225RX-087	1	33.329	22.599	6.442	753	4852
8	5225RX-350	1	13.662	22.599	4.031	309	1245	12	5225RX-367	1	13.662	22.599	6.442	309	1989
10	5225RX-365	1	33.329	22.599	4.031	753	3036	TOTALS		14	57.500	25.000	44.000	8638	24264
TOTALS		11	57.500	25.000	44.000	7267	25323								

MAXIMUM CU. IN. CONFIGURATION							
#	DRAWER P/N	QTY	WIDTH	DEPTH	HEIGHT	SQ. IN.	CU. IN.
1	5225RX-053	1	50.131	22.599	4.240	1133	4804
1B	5225RX-053B	1	50.131	22.599	2.562	1133	2903
4	5225RX-057	1	13.662	22.599	9.849	309	3041
8	5225RX-350	2	13.662	22.599	4.031	617	2489
10	5225RX-365	2	33.329	22.599	4.031	1506	6073
11	5225RX-366	1	33.329	22.599	9.849	753	7418
TOTALS		8	57.500	25.000	44.000	5452	26727

KEY NO. SERIAL NO. RANGE (After):

MATCO TOOLS

JAMESTOWN PLANT
160 CHAUTAUQUA AVENUE
LAKEWOOD, NY 14750



DWG. NO. 5225RP-SPEC

REV. LEVEL 9/26/14